

HI-BAY

DESCRIPTION

This HI-BAY luminaire is ideal for areas with mounting heights of 5 meters and above

APPLICATIONS

Warehousing, factories, and parking lots

VARIATION

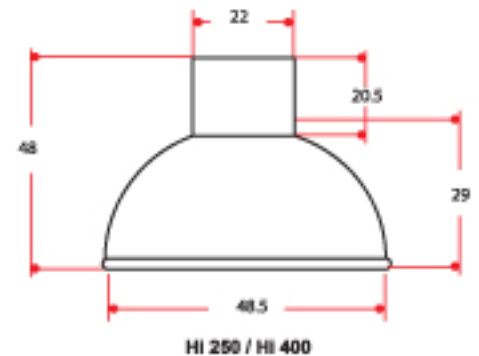
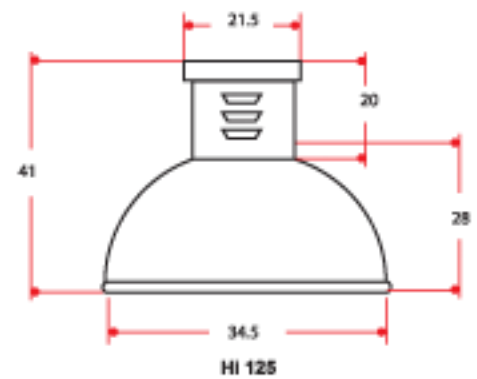
Available in high pressure sodium, or mercury vapor, standard voltage is 240 volts, 50 HZ.

ATTACHMENTS

Supplied with wire guard, ballast, lamp socket, capacitor, and one meter wire ready for installation. Lamp excluded.

Or, supplied with wire guard, lamp socket, connection terminal only.

Item no.	Code no.	Description	Size /mm	Lamp details
1	HI 125M	125 watt	345 X 410	Mercury vapor
2	HI 250M	250 watt	485 X 480	Mercury vapor
3	HI 400M	400 watt	485 X 480	Mercury vapor
4	HI 250S	250 watt	485 X 480	Sodium
5	HI 400S	400 watt	485 X 480	Sodium



HI250-400

HI125