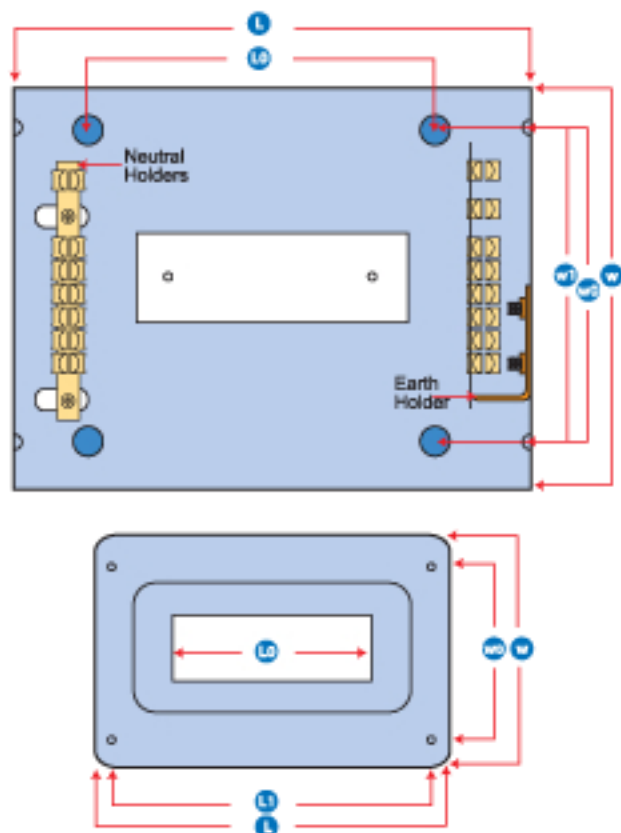


# DISTRIBUTION BOARD

## Single Phase/Plastic Cover



### DESCRIPTION

Molded from 0.9 or 1.0 mm cold rolled steel, with electrostatic creamy color base and cover, with 1.5 mm copper buss bar comb type, our metal distribution boards design meets the needed requirements.

### APPLICATIONS

Houses, offices, small shops

### SPECIFICATIONS

Available with flush or surface mounted, with polystyrene crystal translucent cover which makes it easy to view the circuit breakers. Galvanized inside rail, polyimide insulators, constructed according to DIN 46277/3. Models: 4, 6, 9, and 12 way.

Item	Code No.	Model	2 P MAIN SWITCH	SINGLE PHASE MCB
1	MB 1 X 4	4 Way	1	4
2	MB 1 X 6	6 Way	1	6
3	MB 1 X 9	9 Way	1	9
4	MB 1 X 12	12 Way	1	12

Also, may have multiple circuit breakers in the same model (1 P and/or 3 P)

### BASE DIMENTIONS /MM

Item no.	Code No.	L	L0	W	W0	W1	H
1	MB 1 X 4	240	175	200	150	150	65
2	MB 1 X 6	270	205	200	150	150	65
3	MB 1 X 9	300	235	200	150	150	65
4	MB 1 X 12	370	305	200	150	150	65

### COVER DIMENTIONS/MM

Item no.	Code No.	L	L0	L1	W	W0
1	MB 1 X 4	260	106	225	235	150
2	MB 1 X 6	295	144	270	235	150
3	MB 1 X 9	335	195	295	235	150
4	MB 1 X 12	400	250	365	235	150

Usually, fitted with HK circuit breakers made by Arab Electrical Industries.